

## LED Ceiling Light Square



We supply high quality led down light round shape 3w 5w 7w 9w adjustable ceiling light, LED Ceiling Light Round offer an energy saving alternative while providing excellent color rendering. The COB design mimics panel lighting providing crisper, cleaner shadows. We devoted ourselves to lighting many years, covering most of Europe and the Americas market. We are expecting become your long-term partner in china.

### 1.LED Ceiling Light Square Introduction

We supply high quality led down light square shape 3w 5w 7w 9w adjustable ceiling light, these lamps offer an energy saving alternative while providing excellent color rendering. The COB design mimics panel lighting providing crisper, cleaner shadows. We devoted ourselves to lighting many years, covering most of Europe and the Americas market. We are expecting become your long-term partner in china.

### 2.LED Ceiling Light Square Parameter (Specification)

Model number	LED down light 3w	LED down light 5w 7w	LED down light 9w
Watt	3W	5W/7W	9W
Size	Φ70*40mm	Φ90*45mm	Φ120*50mm
Cut out hole	60-65mm	70-75mm	90-95mm
Lumin Efficiency	>80lm/w		
LED Source	LED 2835 SMD/COB		
Input voltage	AC85-265V		
PF	>0.5		
CRI	>80		
Working life	25000h		
Material	Aluminum+plastic		
Base	PVC power line		
Color Temperature	2700K-6500K		

Beam Angel	38°
Driver	Non-isolated IC driver; Linear Driver
Warranty	2 years

### **3.LED Ceiling Light Square Feature And Application**

- High color rendering (83+ CRI)
- COB for crisper, cleaner shadows
- Energy saving 80% compared to Halogen spotlight
- Dimmable and non dimmable are available
- 25,000 hours rated life
- Application friendly: UV Free & IR Free
- 2 Years Limited Warranty

#### **Applications**

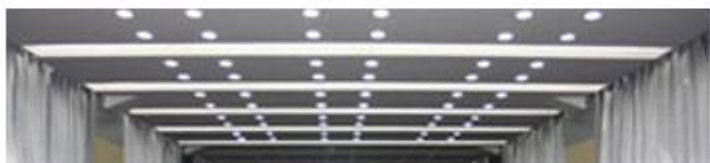
- Track Lighting
- Recessed Lighting
- Landscape Lighting
- Accent Lighting
- Art Gallery & Museum Lighting
- Hospitality Lighting



**office**



**drawing room**





[www.760gj.com](http://www.760gj.com)

For details, pls. contact me and inform what you want, we can offer according

#### **4.LED Ceiling Light Square Details**

LED ceiling light down light 3w 5w 7w 9w China supplier cheap price.

- Plastic housing with color back cover,
- built-in driver, clean and beautiful appearance
- powerful spring buckle to ensure stable installation
- easy to install and highlight
- adjustable direction
- SMD or COB chips, 90lm/w
- two shell shapes can be selected.



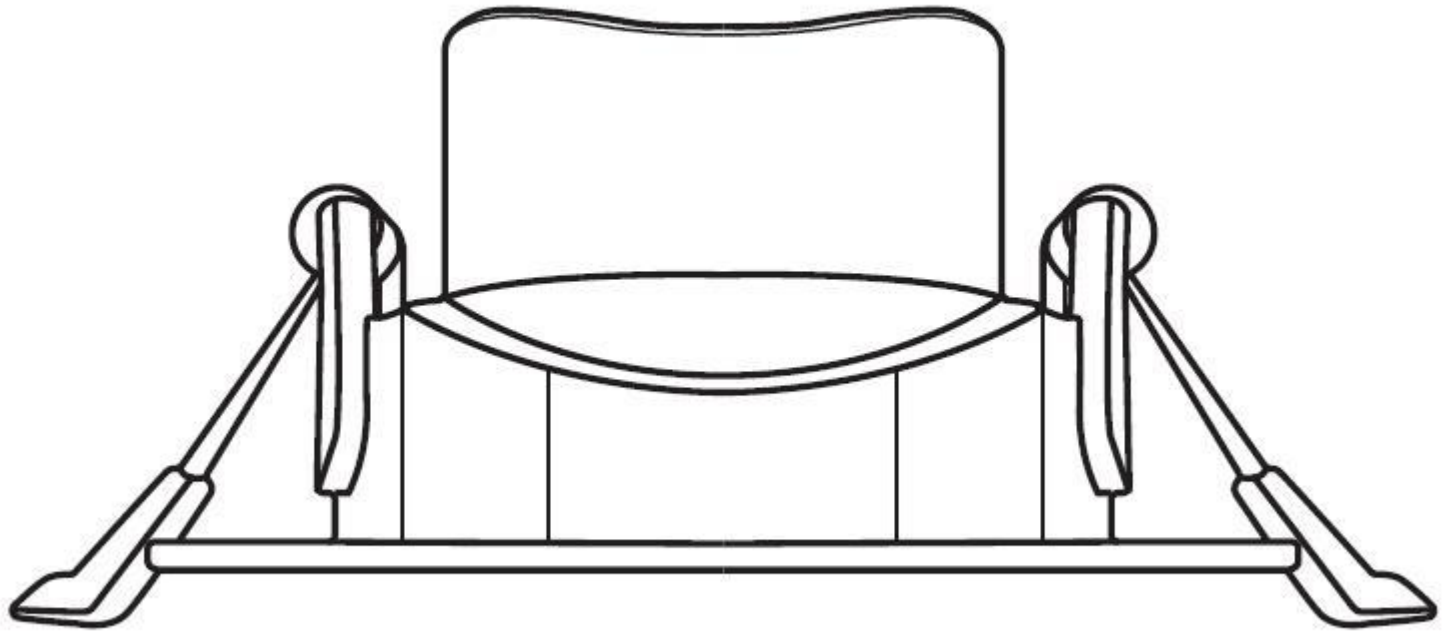
## 3W LED DOWN LIGHT



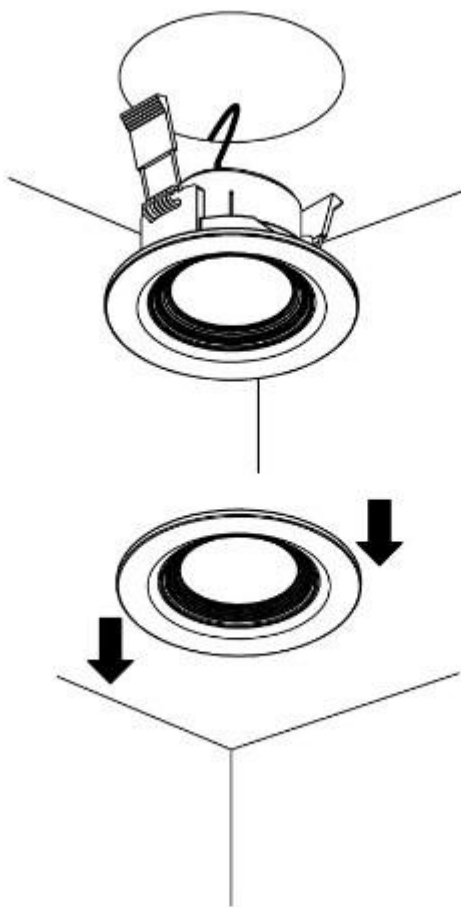
## 5W 7W LED DOWN LIGHT



## 9W LED DOWN LIGHT





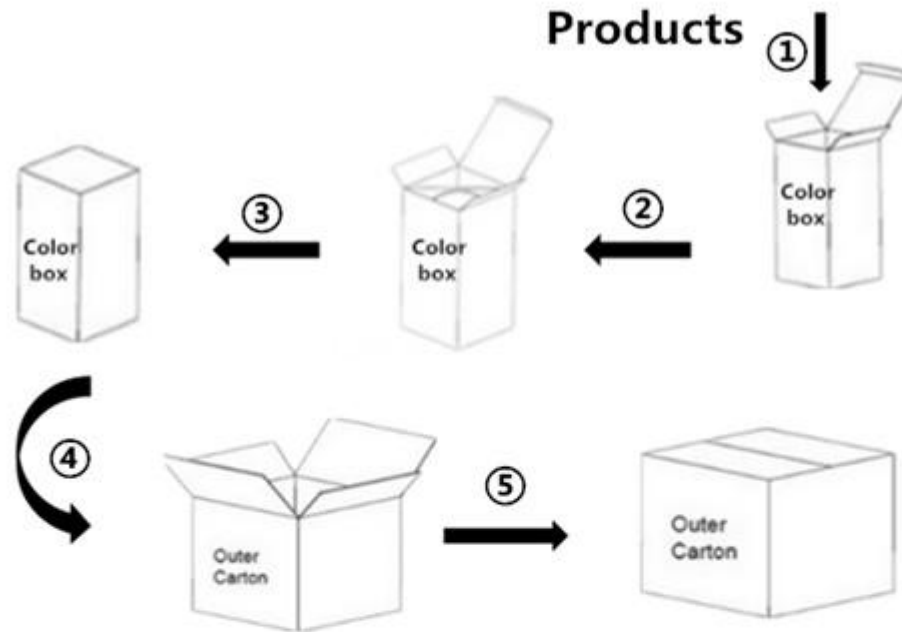


## 5.LED Ceiling Light Square Qualification



### 6.Deliver,Shipping And Serving

OEM available, can according to the customers request, design different packing.



## 7.FAQ

Are you a trading company or a manufacturer?  
We are industry and trade integration company.

When will you leave your factory and to have your spring festival holidays?  
All of our holiday will be began basing on official holiday.

Will you attend the fair to show your products?  
Yes, if conditions permit, we will attend the Lighting Show, etc.

If OEM is acceptable?  
Yes, please inform us formally before our production and confirm the design firstly based on our samp

Do you provide sample? Free or charge?  
Yes, we welcome sample order to test and check quality. Mixed samples are acceptable. We can provide samples for free, but express cost should be collected

Can I delivery the goods from other supplier to your factory? Then load together?  
Yes, of Course.

What is your term of payment?  
Our payment terms is 30% deposit and balance before shipment or 30days against B/L, or L/C.

What is your MOQ?  
Low MOQ, 1000pcs for sample checking is available. Normally MOQ is 3000/5000pcs.

How long is your delivery time?  
Sample needs 7-10 days, mass production time needs 4-5 weeks for order quantity more than

How many production lines in your factory?  
There are 6 production lines and 2 automatic lines in our factory, more than one hundred workers.

How to proceed an order for led bulb?  
1st, let us know your requirements or application.  
2nd, We quote according to your requirements or our suggestions.  
3rd, customer confirms the samples and places deposit for formal order.  
4th, We arrange the production.

How do you ship the goods and how long does it take to arrive?



[www.760gj.com](http://www.760gj.com)

We usually ship by DHL, UPS, FedEx or TNT. It usually takes 5-7 days to arrive. Airline and sea shipping also optional.